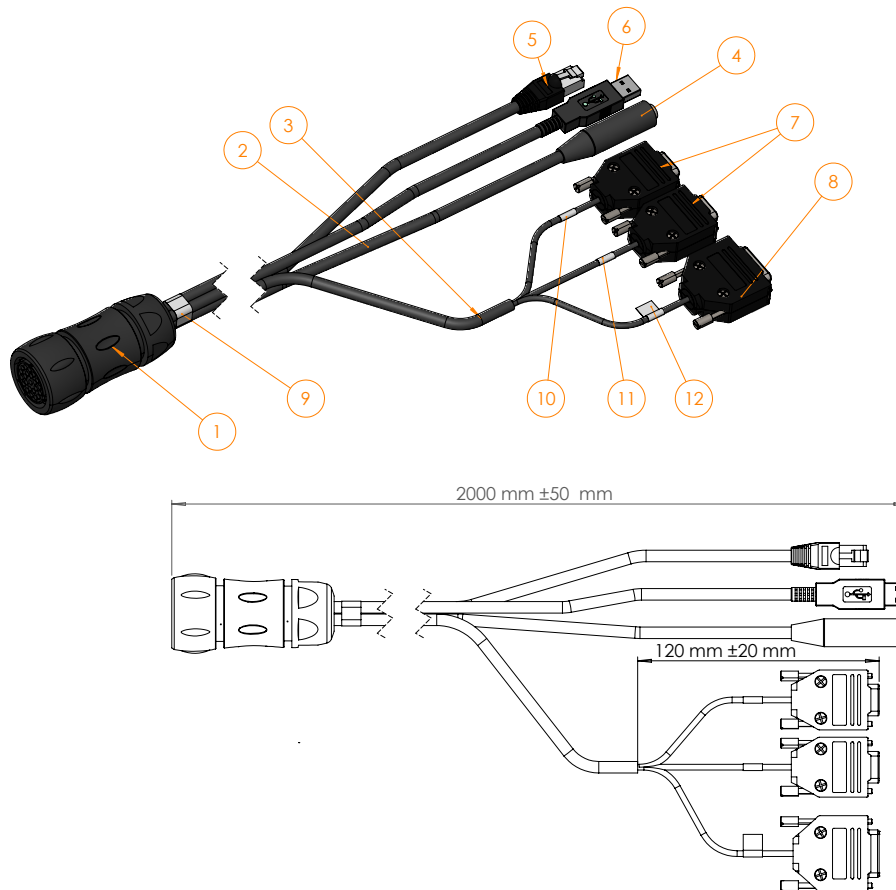


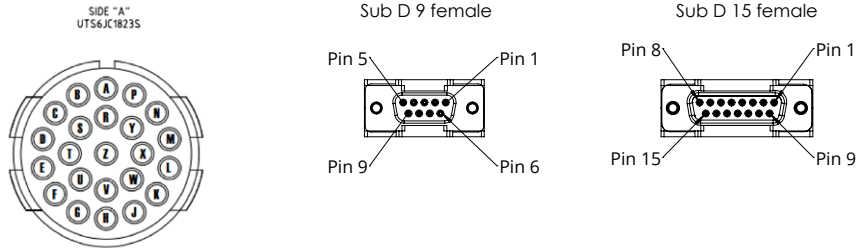
Technical Drawing



Bill of Materials

Part N°	Name	Manufact.ref.	Description	Qty	Color
1	23 pin connector	Souriau UTS6JC1823S	Plastic plug, with cable gland backshell, for 23 female contacts, IP68/69K	1	Black
2	Cable	Tensility 30-01223	Wire, 2C BC, 18 AWG, UL20280, 300V, 80C, 5.8 mm, braided shield, FT2, TPU	1	Black
3	Cable	Alpha wire 78218	8 X 1 PAIR , 26 (19/38) AWG Tinned Copper , 0.007" Wall, Nom Ether-PE	1	Black
4	Power connector	Switchcraft 722ACF	DC Power Connectors In-line 2.0mm stndrd bushing w/ relief	1	Black
5	Ethernet connector	Harling 09459711126	RJ45 CAT5 pur black double ended mouled cable assembly (cable with connector)	1	Black
6	Usb connector	Tensility 10-02335	50-00574 USB A plug to 5 mm, finned, 26/28 AWG, 30-00872 wire (cable with connector)	1	Black
7	Sub-D 9pin connector	MH connectors MHDTPPK9-DB9S-K	D-Sub Tools & Hardware Plastic D-Sub Hood 9 way	2	Black
8	Sub-D 15pin connector	MH connectors MHDTPPK15-DB15S-K	D-Sub Tools & Hardware Plastic D-Sub Hood 15 way	1	Black
9	SAP/SALES Label		text: 216791 / CBL_AntaRx_DEV position: close to 23-pin connector	1	White
10	ID label COM 1		text: COM 1 position: close to connector	1	White
11	ID label COM 2		text: COM 2 position: close to connector	1	White
12	ID label large		text: 1) nRST 9) nRST GND 3) EventA 11) EventA GND 4) EventB 12) EventB GND 6) PPSOut 14) PPS GND 8) CANH 15) CANL position: close to connector	1	White

Technical Drawing



Connector-side A		Connector-side B		Remarks
Pin	Name	Pin	Part N°	
C	ETH TXP	1	5	
D	ETH TXN	2		
E	ETH RXP	3		
F	ETH RXN	6	6	
A	USB GND	4		
R	USB VBUS	1		
B	USB DM	2	4	
S	USB DP	3		
N	PWR IN	1		
M	PWR GND	2	7 (COM1)	center
L	COM RX1	3		
W	COM TX1	2		
J	COM GND	5	7 (COM2)	outer
K	COM RX2	3		
X	COM TX2	2		
J	COM GND	5	8	
G	EVENT GND	12		
H	EVENTB	4		
G	EVENT GND	9		
U	NRST	1		
T	PPS GND	11		
V	EVENTA	3		
T	PPS GND	14		
Z	PPS	6		
P	CANH	8		
Y	CANL	15		